

TANA

TANA ELECTRIC WASTE SHREDDERS

440EM, 440ET, 440E



TANA FROM WASTE TO VALUE®

Love the results

The TANA Shark has been engineered to provide maximum uptime. Its robust design, proven materials, excellent serviceability and ease of operation are features that keep it reliable delivering the performance and profit you are looking for.

TANA waste shredders are suitable for shredding of most reusable, recyclable and recoverable materials. The purpose may be volume reduction, refuse derived fuel production or recyclable material production. The key to productivity is the machine's versatility. It is able to handle materials from MSW to waste wood, from plastics to tyres and it can be used either as a pre-shredder or to produce the required particle size in one phase.

Like their predecessors, the **TANA Shark electric waste shredders** are designed to efficiently shred a wide array of waste materials, all while operating with zero local emissions thanks to our electric shredding technology. TANA Shark electric waste shredders offer the same TANA versatility and reliability, with an added attention to environment.

Lower operational costs

A machine that runs on electricity goes easy on both the environment and the wallet. The initial investment will pay itself back in lower operating costs while supporting sustainable development, cleaner site and safer working environment through zero emissions.

Next generation control system

The electric TANA Shark 440 models come with the next generation of TANA Control System (TCS). The highly user-friendly, color touch screen control system allows intuitive operation of the machine and reduces the hours spent on user training.

2-part conveyor

Both conveyors can be adjusted and operated independently from each other in both directions. The rigid self-supporting conveyor frame has a wide movement range of +/- 30 degrees and is easy to clean. The conveyor scales measure output per operating program used and material shred and can be tracked real-time with TANA ProTrack®.

TANA ProTrack®

An Internet based wireless connection to the shredder's control system minimizes downtime by enabling immediate trouble-shooting and technical support. As an option you can also get operational reports via email to optimize your process.

Less noise and zero emissions

Noise is an environmental hazard and a work safety issue. The electric TANA Shark is considerably quieter than a diesel-powered shredder, making it easier to follow noise and safety regulations.



ANA

SHARK 10EM

BRUNNEN

Opening side door for quick maintenance and adjustment. HD Rotor (option) prolongs rotor life span.

Rotor and cutting knives

TANA Shark shreds material by cutting. The rotor configuration is a uniquely designed counter-twist. The cutting knives are reversible and made of highly wear-resistant material. The special patented rotor carrier assembly gives protection against possible damage to the gearboxes.



Homogeneous particle size

The rotor to screen clearance has a major impact on the overall productivity of the shredder and uniform quality of the output. In TANA Shark this clearance can be finetuned for maximum performance.

Screens are available in different mesh shapes and sizes which the operator can choose from according to the requirements he has for the end product size.

The simple and robust counter knife design adds up to the versatility. The amount of counter knives can be adjusted and they have two wearing surfaces.

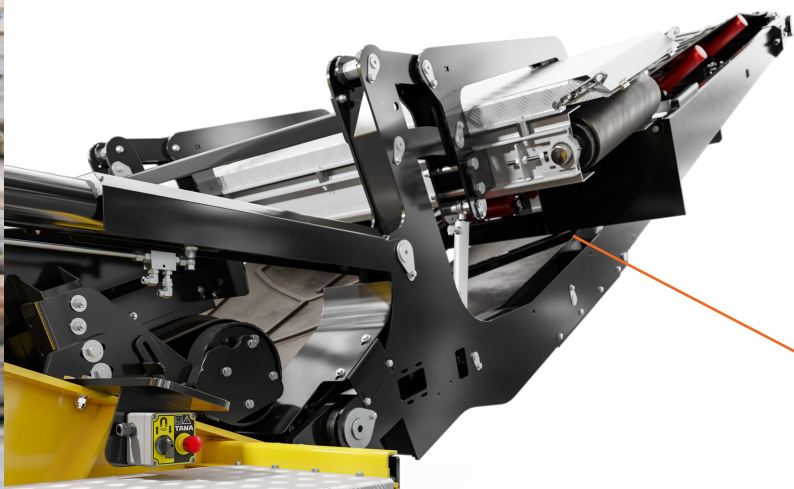


TCS with 12 pre-programmed operations, connected with TANA ProTrack®.

TANA Shark has a variety of options to choose from

- Mesh screens in different sizes
- Extended conveyor side frames
- Additional working lights
- TANA ProTrack® reports

Overband magnet separates metals. (option)



Technical specifications

General informaton	440ET	440EM	440E / without conveyors
Operating weight, kg *	31900	27400	24500 / 20500
Total length in transportation, mm**	10260	10060	6340 / 5770
Total length in operation, mm	15750	15480	11900 / 5770
Total width, mm	2550	2530	2420 / 2290
Total height in transportation, mm	3600	3970	3340 / 2970
Rotor shaft type	single shaft	single shaft	single shaft
Conveyor belt speed (max. m/s)	3	3	3
Conveyor width	1000	1000	1000
Discharge & transfer conveyor length, mm	5480, 7050	5480, 7050	- ***
Conveyor height on operation**	4290	4730	-
Integrated scale	x	x	x
Remote control	x	option	option
Maximum velocity (models with tracks)	1,3 km/h		
Electrics and transmission			
Motor & Efficiency	VEM, IE4 Doosan D34 3,4 liter, 4 cylinder engine	VEM, IE4	VEM, IE4
AUX diesel engine (440ET only)	- Fulfills Tier 4 final, EU Stage V		
Power rating (SAE J1995) (kW)	2 x 160 kW****/ 2 x 175 kW*****	2 x 160 kW****/ 2 x 175 kW*****	2 x 160 kW****/ 2 x 175 kW*****
Fuel tank, liters (440ET only)	55	-	-
Electrical connection/ earthing	TN-C	TN-C	TN-C
Main fuse size	630 A	630 A	630 A
Rotor drive gears, pcs	2	2	2
Nominal rotor torque, kNm	440	440	440
Infeed hopper			
Loading height (mm)	3170	3400	2296 (without the base)
Volume m3	5	5	5
Shredding tools			
Rotor shredding length, mm	3000	3000	3000
Rotor speed max, rpm	26/28	26/28	26/28
Rotor diameter, mm	920	920	920
Rotor knives, pcs	33 / 44 (option)	33 / 44 (option)	33 / 44 (option)
Counter knives, pcs	23	23	23
Rotor knife type	Bolt-on, reversible knife	Bolt-on, reversible knife	Bolt-on, reversible knife
Rotor knife size, mm	115x70	115x70	115x70
Examples of optional equipment:			
Overband magnet	x	x	x***
Conveyor side covers	x	x	x
Rotor screen sizes (mm) + special screen for tyre shredding	50, 76, 90, 100, 109, 120, 140, 167, 220, 275	50, 76, 90, 100, 109, 120, 140, 167, 220, 275	50, 76, 90, 100, 109, 120, 140, 167, 220, 275

* Operating weight includes the basic machine (fuel tank full)

** When at 30° nominal working angle

*** Underband, overband or both conveyors sold as an option for the 440E model

**** 50Hz/400 V

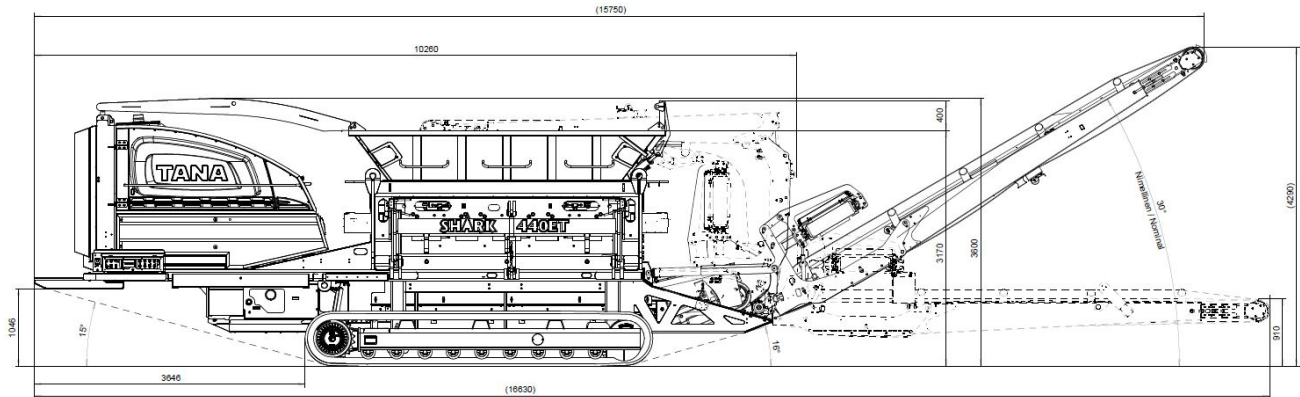
***** 60Hz/ 480 V (UL)

Powerpack for 440E

Operating weight, kg	5000
Total length in transportation, mm	2860
Total length in operation, mm	3400
Total width, mm	2190
Total height in transportation, mm	2520

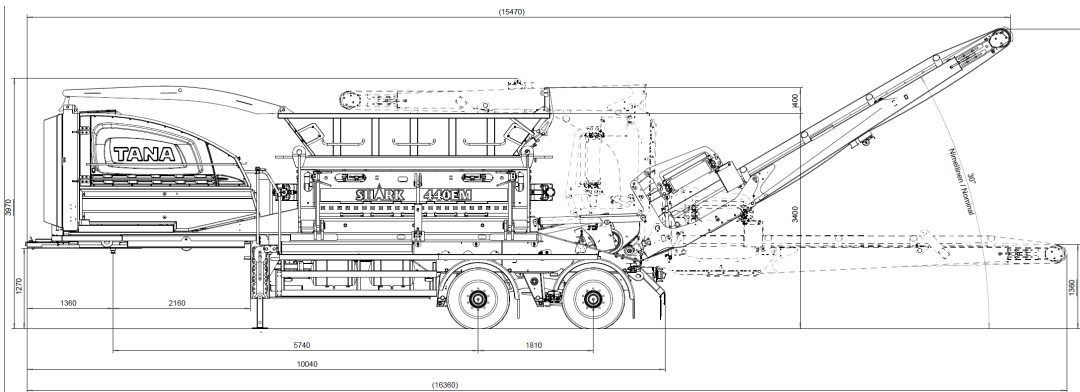
TANA Shark 440ET

MOBILE WASTE SHREDDER ON TRACKS



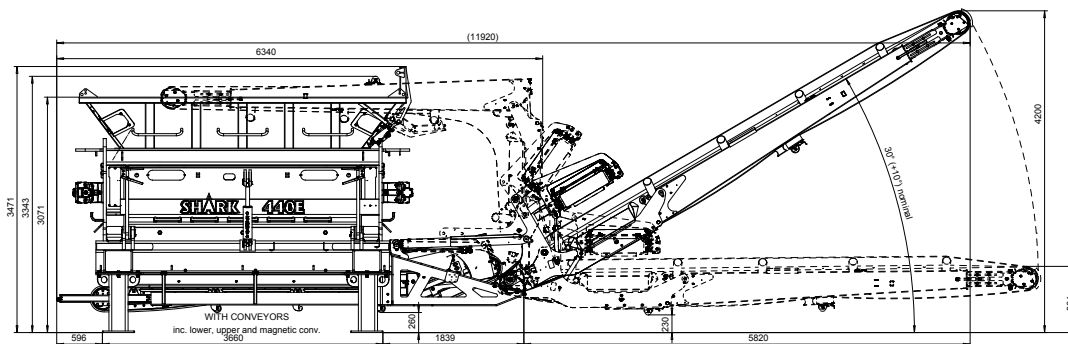
TANA Shark 440EM

MOBILE WASTE SHREDDER ON SEMI-TRAILER

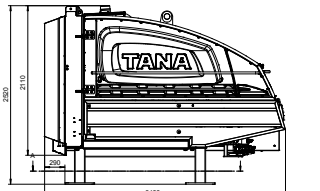


TANA Shark 440E

STATIONARY WASTE SHREDDER



Powerpack



TANA

CONTACT US

Tana Oy

P.O.Box 160
Schaumanin puistotie 1
FI-40101 Jyväskylä
Tel. +358 20 7290 240
mail@tana.fi
www.tana.fi

TANA FROM WASTE TO VALUE®